

FEATURES & BENEFITS

- stainless steel components for bundle fitting
- reliable fastening of bundle to enclosure, e.g. with screw and TSB cable tie
- for difficult climatic or environmental conditions

LOGISTIC DATA

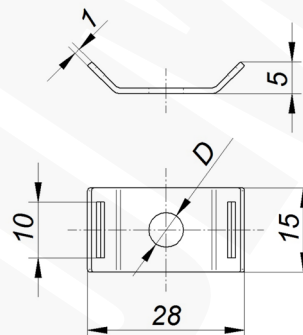
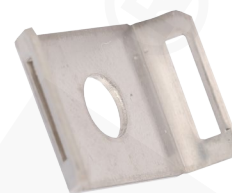
Quantity in package [pcs] 100

MECHANICAL DATA

Material stainless steel 304 type according to AISI/ASTM

Operating temperature [°C] -80 ÷ +500

Max. tape width [mm] 9,5



Type	Index Ergom	D
ES 10/4 (100 PCS)	E01EM-01010400101	4,2
ES 10/6 (100 PCS)	E01EM-01010400201	6,2