

FEATURES & BENEFITS

- sheet metal edge shields in enclosures at wire and cable routing points
- protects wire insulation from damage
- for a wide range of enclosure wall thickness

LOGISTIC DATA

Quantity in package [m] 50

MECHANICAL DATA

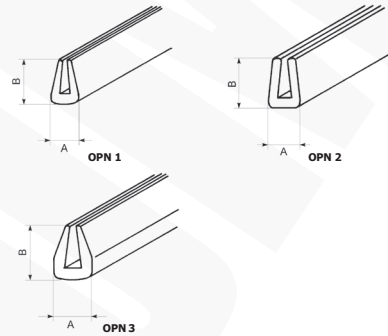
Material PCV resistant to typical solvents, lubricants, oils, sea water, moulds etc.

Operating temperature [°C] -30 ÷ +70

Assembly temperature [°C] -5 ÷ +35

NOTE!

RD, BL, GY, WT, YL colours on request - for details visit www.ergom.com



Type	Index Ergom	Colour	Metal plate thickness [mm]	A	B
OPN-1 (50 M.)	E01PK-01060300100	black	0,4÷1,3	5,0	9,0
OPN-1 BL (50 M)	E01PK-01060301100	blue	0,4÷1,3	5,0	9,0
OPN-1 GY (50 M)	E01PK-01060301200	grey	0,4÷1,3	5,0	9,0
OPN-1 RD (50 M)	E01PK-01060301300	red	0,4÷1,3	5,0	9,0
OPN-1 WT (50 M)	E01PK-01060301400	white	0,4÷1,3	5,0	9,0
OPN-1 YL (50 M)	E01PK-01060301500	yellow	0,4÷1,3	5,0	9,0
OPN-2 (50 M.)	E01PK-01060300400	black	1,3÷2,2	6,5	9,5
OPN-2 BL (50 M)	E01PK-01060301600	blue	1,3÷2,2	6,5	9,5
OPN-2 GY (50 M)	E01PK-01060301700	grey	1,3÷2,2	6,5	9,5
OPN-2 RD (50 M)	E01PK-01060301800	red	1,3÷2,2	6,5	9,5
OPN-2 WT (50 M)	E01PK-01060301900	white	1,3÷2,2	6,5	9,5
OPN-2 YL (50 M)	E01PK-01060302000	yellow	1,3÷2,2	6,5	9,5
OPN-3 (50 M.)	E01PK-01060300600	black	2,2÷3,3	7,5	11,0
OPN-3 BL (50 M)	E01PK-01060302100	blue	2,2÷3,3	7,5	11,0
OPN-3 GY (50 M)	E01PK-01060302200	grey	2,2÷3,3	7,5	11,0
OPN-3 RD (50 M)	E01PK-01060302300	red	2,2÷3,3	7,5	11,0
OPN-3 WT (50 M)	E01PK-01060302400	white	2,2÷3,3	7,5	11,0
OPN-3 YL (50 M)	E01PK-01060302500	yellow	2,2÷3,3	7,5	11,0

