

# Steel markers, OWS type

## FEATURES & BENEFITS

- stainless steel marker to be fixed on bundles or cables with cable ties
- large surface for inscriptions
- can be inscribed with laser — we perform such services



## LOGISTIC DATA

Quantity in package [pcs] 100

Fitting to bundles – with tape, steel TSB...5 or TSB.../5-304.

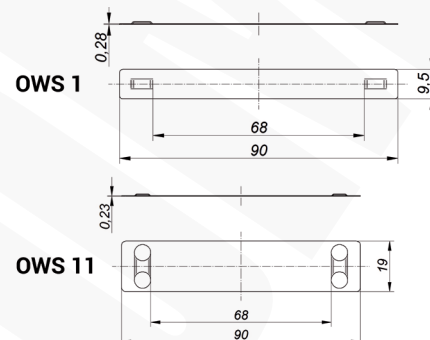
Making permanent inscriptions by:

- laser, the service can be ordered at Ergom
- moulding.

## MECHANICAL DATA

**Material** stainless steel 316 type according to AISI/ASTM

**Operating temperature [°C]** -80 ÷ +300



Type	Index Ergom
OWS 1 (100 PCS)	E04ZP-01060500001
OWS 11 (100 PCS)	E04ZP-01060501001