

FEATURES & BENEFITS

- popular steel cable ties with "ladders" for wide range of cable bundle diameters
- for difficult climatic or environmental conditions

LOGISTIC DATA

Quantity in package [pcs] 100

There is an elastic toothed latch in the buckle. After tightening of the tie, the teeth fall into the holes in the tie, so it is impossible to pull it back. The strip is perforated over the whole length so it is possible to tighten the bundles of various diameters. The solution is designed also for outdoor applications, possibly in marine conditions. Permissible operation in the mining and chemical industry.

MECHANICAL DATA

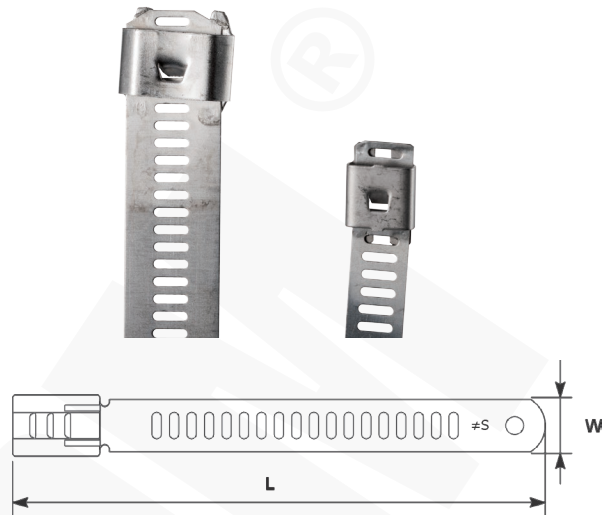
Material	acid-proof steel 316 type acc. to AISI/ASTM
Halogen-free	yes
Operating temperature [°C]	-80 ÷ +540
Tool type	MK-SB

DIMENSIONS

S 0,28

CERTIFICATES & STANDARDS

Standards EN 62275



CE

Type	Index Ergom	Tensile strength, min. [daN]	Max. bundle dia. [mm]	L	W
TST 15/7 (100 PCS)	E01TK-03010100101	34	48	150	7,00
TST 22/7 (100 PCS)	E01TK-03010100201	34	71	225	7,00
TST 30/7 (100 PCS)	E01TK-03010100301	34	96	300	7,00
TST 45/7 (100 PCS)	E01TK-03010100401	34	144	450	7,00
TST 60/7 (100 PCS)	E01TK-03010100501	34	193	600	7,00
TST 15/12 (100 PCS)	E01TK-03010100601	45	48	150	12,00
TST 22/12 (100 PCS)	E01TK-03010100701	45	71	225	12,00
TST 60/12 (100 PCS)	E01TK-03010101001	45	193	600	12,00

