

Tubular terminals, KDR type

FEATURES & BENEFITS

- ring terminal Cu, as per DIN, with galvanic tin plating
- description of cable cross-section, terminal size and crimping die number on crimped part surface
- for demanding applications
- very wide range

MECHANICAL DATA

Material	Cu
Covering	tin-plated

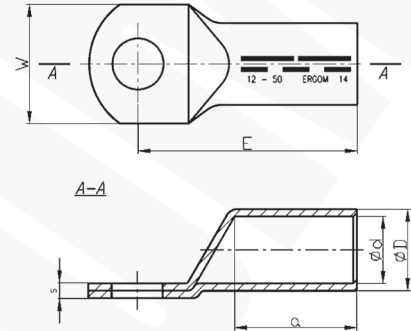
CERTIFICATES & STANDARDS

Standards	EN 61238-1: 2004 (Class A)
UL certificate	E475284
Design	DIN 46235

NOTE!

Sector-shaped conductors (sm) must be rounded with special dies.

UL certificate - visit www.ergom.com



Type	Index Ergom	Cross-section, mm ² [mm ²]	d	D	s	a	E	W	Screw hole	DIN	UL	Socket code no.	Lz/s	Lz/w	Quantity in package [pcs]	Weight [kg]			
KDR 10/5 (100 PCS)	E11KM-02020100100	10	4,5	6,0	1,5	12	27	9	M5	√	√	6	-	1	100	0,4			
KDR 10/5 (10 PCS)	E11KM-02020100102														10	0,04			
KDR 10/6 (100 PCS)	E11KM-02020100200														100	0,45			
KDR 10/6 (10 PCS)	E11KM-02020100202														10	0,05			
KDR 10/8 (100 PCS)	E11KM-02020100300														100	0,4			
KDR 10/8 (10 PCS)	E11KM-02020100302				10	0,04													
KDR 16/6 (100 PCS)	E11KM-02020100400				16	5,5	8,5	2,5	20	36	13	M6	√	√	8	1	2	100	1,3
KDR 16/6 (10 PCS)	E11KM-02020100402																	10	0,13
KDR 16/8 (100 PCS)	E11KM-02020100500																	100	1,4
KDR 16/8 (10 PCS)	E11KM-02020100502																	10	0,14
KDR 16/10 (100 PCS)	E11KM-02020100600	100	1,4																
KDR 16/10 (10 PCS)	E11KM-02020100602	10	0,14																
KDR 16/12 (100 PCS)	E11KM-02020100700	100	1,4																
KDR 16/12 (10 PCS)	E11KM-02020100702	10	0,14																

Type	Index Ergom	Cross-section, mm ²	d	D	s	a	E	W	Screw hole	DIN	UL	Socket code no.	Lz/s	Lz/w	Quantity in package [pcs]	Weight [kg]																		
KDR 25/6 (100 PCS)	E11KM-02020100800	25	7,0	10,0	3,0	20	38	14	M6			10	1	2	100	1,65																		
KDR 25/6 (10 PCS)	E11KM-02020100802																						10	0,17										
KDR 25/8 (100 PCS)	E11KM-02020100900																16	M8						100	1,65									
KDR 25/8 (10 PCS)	E11KM-02020100902																		√					10	0,17									
KDR 25/10 (100 PCS)	E11KM-02020101000																17	M10						100	1,65									
KDR 25/10 (10 PCS)	E11KM-02020101002																			√				10	0,17									
KDR 25/12 (100 PCS)	E11KM-02020101100																19	M12						100	1,65									
KDR 25/12 (10 PCS)	E11KM-02020101102																				10	0,17												
KDR 25/14 (100 PCS)	E11KM-02020101200							2,0		40	21				M14	-					100	1,9												
KDR 25/14 (10 PCS)	E11KM-02020101202															-					10	0,19												
KDR 25/16 (100 PCS)	E11KM-02020101300							1,0		45	25				M16	-					100	1,8												
KDR 25/16 (10 PCS)	E11KM-02020101302															-					10	0,18												
KDR 35/6 (100 PCS)	E11KM-02020101400				35	8,2	12,5	4,0	20	42					M6	-		12	1	2	100	3												
KDR 35/6 (10 PCS)	E11KM-02020101402																						17	M8	-				10	0,3				
KDR 35/8 (100 PCS)	E11KM-02020101500																							100	3,1									
KDR 35/8 (10 PCS)	E11KM-02020101502																							10	0,31									
KDR 35/10 (100 PCS)	E11KM-02020101600							3,5			19	M10	√								100	3,1												
KDR 35/10 (10 PCS)	E11KM-02020101602													√							10	0,31												
KDR 35/12 (100 PCS)	E11KM-02020101700										21	M12									100	3,1												
KDR 35/12 (10 PCS)	E11KM-02020101702																				10	0,31												
KDR 35/14 (100 PCS)	E11KM-02020101800							3,0			44	23	M14	-							100	3,1												
KDR 35/14 (10 PCS)	E11KM-02020101802												-								10	0,31												
KDR 35/16 (100 PCS)	E11KM-02020101900							2,5		45	28	M16	-								100	3,3												
KDR 35/16 (10 PCS)	E11KM-02020101902												-								10	0,33												
KDR 50/8 (100 PCS)	E11KM-02020102000	50	10,0	14,5				4,0	28	52	20	M8			14	2	3				100	4,38												
KDR 50/8 (10 PCS)	E11KM-02020102002																													10	0,44			
KDR 50/10 (100 PCS)	E11KM-02020102100													22				M10	√					100	4,7									
KDR 50/10 (10 PCS)	E11KM-02020102102																							10	0,47									
KDR 50/12 (100 PCS)	E11KM-02020102200													24				M12		√				100	4,75									
KDR 50/12 (10 PCS)	E11KM-02020102202																							10	0,48									
KDR 50/14 (100 PCS)	E11KM-02020102300													26				M14	-					100	4,7									
KDR 50/14 (10 PCS)	E11KM-02020102302																		-					10	0,47									
KDR 50/16 (100 PCS)	E11KM-02020102400													28				M16	√					100	4,6									
KDR 50/16 (10 PCS)	E11KM-02020102402																							10	0,46									
KDR 70/8 (100 PCS)	E11KM-02020102500				70	11,5	16,5				4,5	28	55					M8			16	2	3	100	6									
KDR 70/8 (10 PCS)	E11KM-02020102502																																10	0,6
KDR 70/10 (100 PCS)	E11KM-02020102600																									24	M10	√					100	6,3
KDR 70/10 (10 PCS)	E11KM-02020102602																																10	0,63
KDR 70/12 (100 PCS)	E11KM-02020102700														M12									100	6,4									
KDR 70/12 (10 PCS)	E11KM-02020102702																√							10	0,64									
KDR 70/14 (100 PCS)	E11KM-02020102800													26	M14	-								100	6,55									
KDR 70/14 (10 PCS)	E11KM-02020102802												-					10	0,66															
KDR 70/16 (100 PCS)	E11KM-02020102900							4,0			30	M16	√					100	6,2															
KDR 70/16 (10 PCS)	E11KM-02020102902																	10	0,62															
KDR 70/20 (100 PCS)	E11KM-02020103000							3,0			34	M20	-					100	6,65															
KDR 70/20 (10 PCS)	E11KM-02020103002												-					10	0,67															

Type	Index Ergom	Cross-section, rm/sm [mm ²]	d	D	s	a	E	W	Screw hole	DIN	UL	Socket code no.	Lz/s	Lz/w	Quantity in package [pcs]	Weight [kg]										
KDR 95/8 (50 PCS)	E11KM-02020103100	95	13,5	19,0	5,0	35	65	28	M8			18	2	4	50	4,6										
KDR 95/8 (10 PCS)	E11KM-02020103102								10	0,92																
KDR 95/10 (50 PCS)	E11KM-02020103200								50	4,8																
KDR 95/10 (10 PCS)	E11KM-02020103202								10	0,96																
KDR 95/12 (50 PCS)	E11KM-02020103300								50	4,7																
KDR 95/12 (10 PCS)	E11KM-02020103302								10	0,94																
KDR 95/14 (50 PCS)	E11KM-02020103400								50	4,8																
KDR 95/14 (10 PCS)	E11KM-02020103402								10	0,96																
KDR 95/16 (50 PCS)	E11KM-02020103500								50	4,75																
KDR 95/16 (10 PCS)	E11KM-02020103502								10	0,95																
KDR 95/20 (50 PCS)	E11KM-02020103600								50	4,75																
KDR 95/20 (10 PCS)	E11KM-02020103602								10	0,95																
KDR 120/10 (50 PCS)	E11KM-02020103700								120	15,5	21,0				5,0	35	70	32	M10			20	2	4	50	5,7
KDR 120/10 (10 PCS)	E11KM-02020103702																		10	1,14						
KDR 120/12 (50 PCS)	E11KM-02020103800																		50	5,65						
KDR 120/12 (10 PCS)	E11KM-02020103802																		10	1,13						
KDR 120/14 (50 PCS)	E11KM-02020103900	50	5,75																							
KDR 120/14 (10 PCS)	E11KM-02020103902	10	1,15																							
KDR 120/16 (50 PCS)	E11KM-02020104000	50	5,6																							
KDR 120/16 (10 PCS)	E11KM-02020104002	10	1,12																							
KDR 120/20 (50 PCS)	E11KM-02020104100	50	5,8																							
KDR 120/20 (10 PCS)	E11KM-02020104102	10	1,16																							
KDR 150/10 (50 PCS)	E11KM-02020104200	150	17,0	23,5	6,0	40	78	34				M10							22	2	4				50	8,3
KDR 150/10 (10 PCS)	E11KM-02020104202											10	1,66													
KDR 150/12 (50 PCS)	E11KM-02020104300											50	8,1													
KDR 150/12 (10 PCS)	E11KM-02020104302											10	1,62													
KDR 150/14 (50 PCS)	E11KM-02020104400											50	8,2													
KDR 150/14 (10 PCS)	E11KM-02020104402											10	1,64													
KDR 150/16 (50 PCS)	E11KM-02020104500								50	8																
KDR 150/16 (10 PCS)	E11KM-02020104502								10	0,8																
KDR 150/20 (50 PCS)	E11KM-02020104600								50	8,2																
KDR 150/20 (10 PCS)	E11KM-02020104602								10	1,64																
KDR 185/10 (50 PCS)	E11KM-02020104700								185	19,0	25,5	6,0	42	82	37	M10						25	2	5	50	9,3
KDR 185/10 (10 PCS)	E11KM-02020104702															10	1,86									
KDR 185/12 (50 PCS)	E11KM-02020104800															50	9,3									
KDR 185/12 (10 PCS)	E11KM-02020104802															10	1,86									
KDR 185/14 (50 PCS)	E11KM-02020104900															50	9,4									
KDR 185/14 (10 PCS)	E11KM-02020104902															10	1,88									
KDR 185/16 (50 PCS)	E11KM-02020105000	50	9,25																							
KDR 185/16 (10 PCS)	E11KM-02020105002	10	1,85																							
KDR 185/20 (50 PCS)	E11KM-02020105100	50	9,3																							
KDR 185/20 (10 PCS)	E11KM-02020105102	10	1,86																							
KDR 240/10 (50 PCS)	E11KM-02020105200	240	21,5	29,0	6,5	42	92	42								M10			28	2	-				50	13,8
KDR 240/10 (10 PCS)	E11KM-02020105202															10	2,76									
KDR 240/12 (50 PCS)	E11KM-02020105300															50	13,7									
KDR 240/12 (10 PCS)	E11KM-02020105302															10	2,74									
KDR 240/14 (50 PCS)	E11KM-02020105400															50	13,5									
KDR 240/14 (10 PCS)	E11KM-02020105402															10	2,7									
KDR 240/16 (50 PCS)	E11KM-02020105500								50	13,6																
KDR 240/16 (10 PCS)	E11KM-02020105502								10	2,72																
KDR 240/20 (50 PCS)	E11KM-02020105600								50	13,8																
KDR 240/20 (10 PCS)	E11KM-02020105602								10	2,76																

Type	Index Ergom	Cross-section, mm ²	d	D	s	a	E	W	Screw hole	DIN	UL	Socket code no.	Lz/s	Lz/w	Quantity in package [pcs]	Weight [kg]											
KDR 300/10 (25 PCS)	E11KM-02020105680	300	24,5	32,0	7,0	52	100	48	M10	√		32	2		25	8,2											
KDR 300/10 (10 PCS)	E11KM-02020105682								10	3,28																	
KDR 300/12 (25 PCS)	E11KM-02020105700								M12	-					25	8,3											
KDR 300/12 (10 PCS)	E11KM-02020105702								M12	-					10	3,32											
KDR 300/14 (25 PCS)	E11KM-02020105800								M14	-					25	8,5											
KDR 300/14 (10 PCS)	E11KM-02020105802								M14	-					10	3,4											
KDR 300/16 (25 PCS)	E11KM-02020105900								M16	-					25	8,55											
KDR 300/16 (10 PCS)	E11KM-02020105902								M16	√					10	3,42											
KDR 300/20 (25 PCS)	E11KM-02020106000								M20	-					25	8,5											
KDR 300/20 (10 PCS)	E11KM-02020106002								M20	√					10	3,4											
KDR 400/12 (25 PCS)	E11KM-02020106100								400	27,5					38,5	10,0	70	115	55	M12	√		38	3		25	16,4
KDR 400/12	E11KM-02020106102																			M12	√					1	0,66
KDR 400/14 (25 PCS)	E11KM-02020106200																			M14	-					25	16,4
KDR 400/14	E11KM-02020106202																			M14	-					1	0,66
KDR 400/16 (25 PCS)	E11KM-02020106300																			M16	-					25	19,9
KDR 400/16	E11KM-02020106302																			M16	√					1	0,8
KDR 400/20 (25 PCS)	E11KM-02020106400	M20	-	25	17																						
KDR 400/20	E11KM-02020106402	M20	√	1	0,68																						
KDR 500/12 (25 PCS)	E11KM-02020106500	500	31,0	42,0	10,0	70	125	60			M12	√		42						3						25	19,8
KDR 500/12	E11KM-02020106502										M12	√														1	0,8
KDR 500/14 (25 PCS)	E11KM-02020106600								M14	-	25	19,8															
KDR 500/14	E11KM-02020106602								M14	-	1	0,8															
KDR 500/16 (25 PCS)	E11KM-02020106700								M16	-	25	20,5															
KDR 500/16	E11KM-02020106702								M16	-	1	0,82															
KDR 500/20 (25 PCS)	E11KM-02020106800								M20	√	25	20,2															
KDR 500/20	E11KM-02020106802								M20	√	1	0,81															
KDR 625/12 (10 PCS)	E11KM-02020106900								625	34,5	44,0	10,0			81	135	63	M12	√				44	3		10	8,2
KDR 625/12	E11KM-02020106902																	M12	√							1	0,82
KDR 625/14 (10 PCS)	E11KM-02020107000	M14	-	10	8,2																						
KDR 625/14	E11KM-02020107002	M14	-	1	0,82																						
KDR 625/16 (10 PCS)	E11KM-02020107100	M16	-	10	8,2																						
KDR 625/16	E11KM-02020107102	M16	-	1	0,82																						
KDR 625/20 (10 PCS)	E11KM-02020107200	M20	√	10	8,1																						
KDR 625/20	E11KM-02020107202	M20	√	1	0,81																						

Lz/s - Number of crimping - wide Lz/w - Number of crimping - narrow