

# Tubular thin-walled connectors, 2ZA type

## FEATURES & BENEFITS

- thin-walled connector Al, to make "butt splice" cable connections, not mechanically loaded
- design not recommended for new installations
- low-cost design, only for much less demanding applications
- does not contain grease ensuring gas-tight connection in crimped part - grease available separately

## MECHANICAL DATA

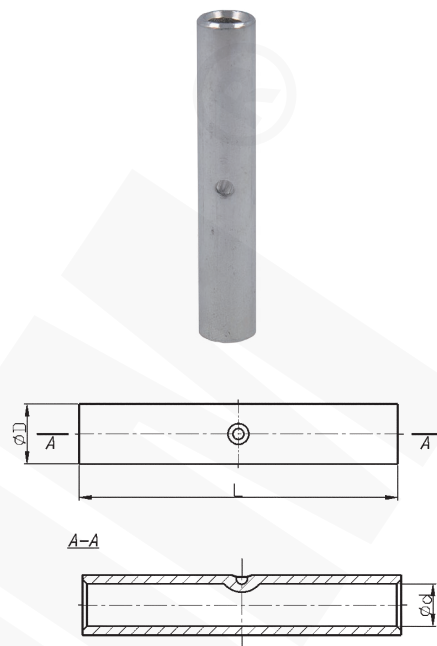
Material	Al
Covering	uncoated

## CERTIFICATES & STANDARDS

Design	thin-walled
--------	-------------

## NOTE!

- sector-shaped conductors must be rounded with special dies.



**EAC**

Type	Index Ergom	Cross-section, re/se [mm <sup>2</sup> ]	Cross-section, rm/sm [mm <sup>2</sup> ]	d	D	L	Socket code no.	Lz/s	Lz/w	Quantity in package [pcs]	Weight [kg]
2ZA 16 (100 PCS)	E12KA-01070100100	25	16	5,2	9,2	47	10	1-1	3-3	100	0,6
2ZA 16 (10 PCS)	E12KA-01070100102									10	0,06
2ZA 25 (100 PCS)	E12KA-01070100200	35	25	6,4	10,4	57	11	2-2	4-4	100	0,8
2ZA 25 (10 PCS)	E12KA-01070100202									10	0,08
2ZA 35 (100 PCS)	E12KA-01070100300	50	35	7,6	12,0	63	12	2-2	4-4	100	1,4
2ZA 35 (10 PCS)	E12KA-01070100302									10	0,14
2ZA 50 (100 PCS)	E12KA-01070100400	70	50	9,2	14,0	76	14	2-2	4-4	100	1,8
2ZA 50 (10 PCS)	E12KA-01070100402									10	0,18
2ZA 70 (100 PCS)	E12KA-01070100500	95	70	10,6	15,6	84	16	2-2	5-5	100	2,3
2ZA 70 (10 PCS)	E12KA-01070100502									10	0,23
2ZA 95 (50 PCS)	E12KA-01070100600	120	95	12,8	18,0	96	18	2-2	5-5	50	1,6
2ZA 95 (10 PCS)	E12KA-01070100602									10	0,32
2ZA 120 (50 PCS)	E12KA-01070100700	150	120	14,3	19,7	110	19	2-2	6-6	50	2,1
2ZA 120 (10 PCS)	E12KA-01070100702									10	0,42
2ZA 150 (50 PCS)	E12KA-01070100800	185	150	16,2	22,0	118	21	2-2	6-6	50	2,9
2ZA 150 (10 PCS)	E12KA-01070100802									10	0,58
2ZA 185 (50 PCS)	E12KA-01070100900	240	185	17,8	24,0	126	23	2-2	6-6	50	3,5
2ZA 185 (10 PCS)	E12KA-01070100902									10	0,7
2ZA 240 (50 PCS)	E12KA-01070101000	300	240	20,2	28,2	136	28	2-2	6-6	50	5,6
2ZA 240 (10 PCS)	E12KA-01070101002									10	1,12

Lz/s - Number of crimping - wide Lz/w - Number of crimping - narrow