

Female push-on connectors with elastic protection, NZ type

FEATURES & BENEFITS



female push-on connector, as per DIN, with galvanic tin plating, for manual installation



elastic protective element ensures fixing crimped female push-on connectors in connection blocks

LOGISTIC DATA

Type	NZ 6,3-2,5/0,8 (100 PCS)
Index Ergom	E10KN-01010500450
Quantity in package [pcs]	100
Weight [kg]	0,09

MECHANICAL DATA

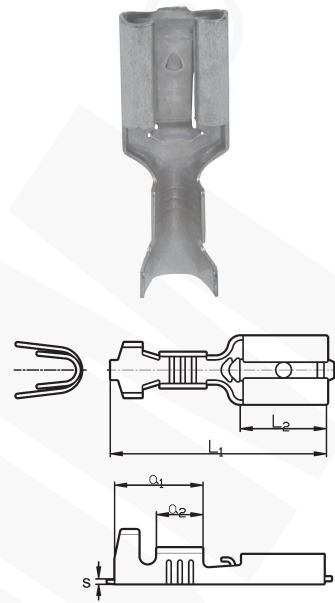
Material	brass
Covering	tin-plated
Size	6,3 x 0,8

CROSS-SECTIONS

Cross-section [mm ²]	1,5÷2,5
----------------------------------	---------

DIMENSIONS

s	0,35
L ₁	20,0
L ₂	7,7
a ₁	7,8
a ₂	4,0



EAC